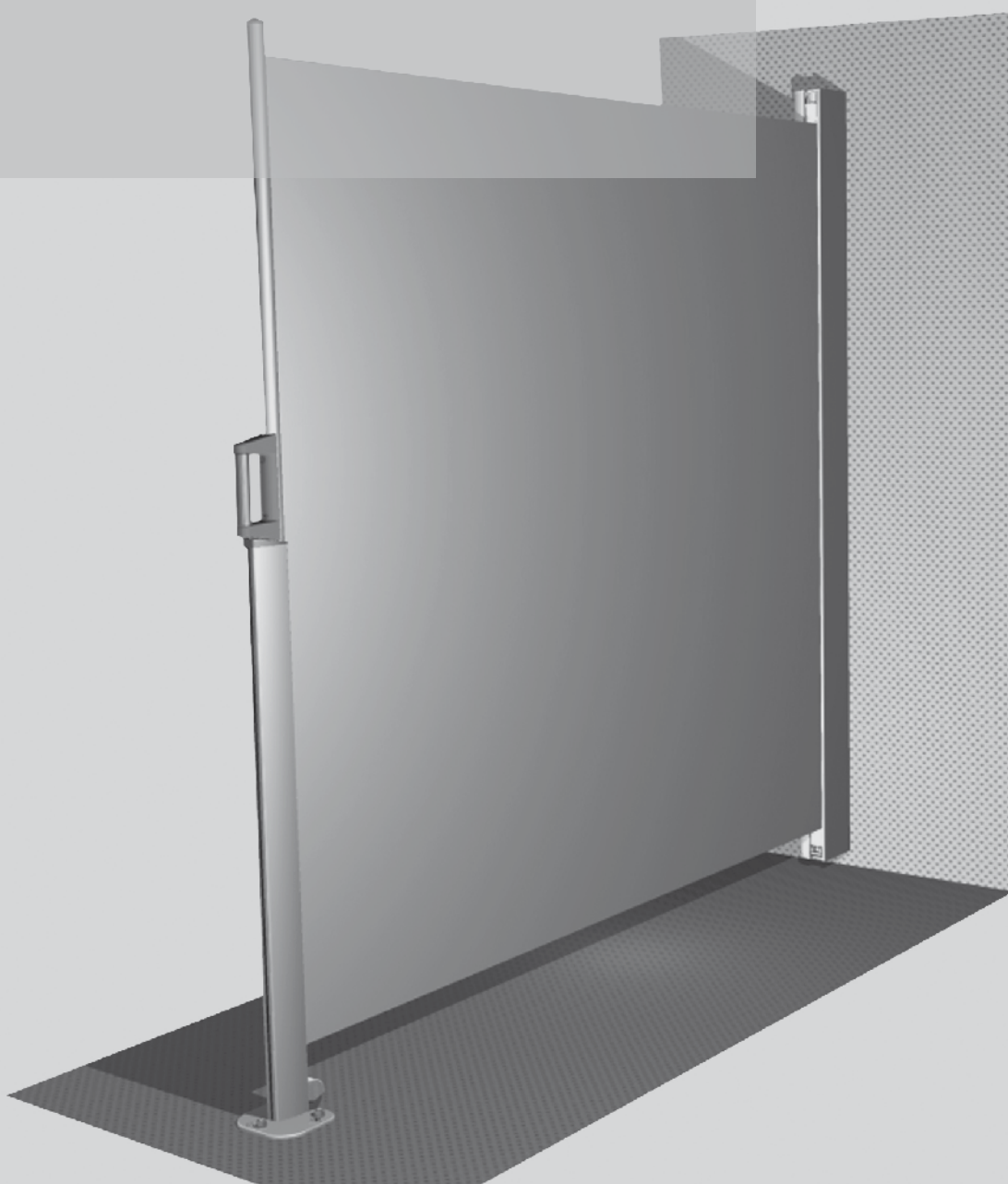


INSTRUCTIONS FOR  
ASSEMBLY AND USE



# SIDELINE VERTICAL

800416\_EN



**TABLE OF CONTENTS**

1.	SAFETY	3
1.1.	EXPLANATION OF THE NOTICES	3
1.2.	GENERAL SAFETY NOTICES	3
2.	ASSEMBLY	3
2.1.	TOOLS AND RESOURCES	3
2.2.	PREPARATION FOR ASSEMBLY	3
2.3.	WIND CLASSES: DEFINITION AND CLASSIFICATION	4
2.4.	REPLACING THE FABRIC OUTLET	4
2.5.	ATTACHMENT HEIGHT	5
2.6.	FASTENING TECHNOLOGY	5
2.7.	FIXING THE BLIND	6
2.8.	ASSEMBLING THE LOCKING DEVICE	6
3.	COMMISSIONING	7
3.1.	EXTENDING THE SYSTEM	7
3.2.	ADJUSTING THE HANDLE HEIGHT	7
3.3.	RETRACTING THE SYSTEM	7
3.4.	COMPLETING ASSEMBLY / HANDING OVER TO THE CUSTOMER	8
4.	DISASSEMBLY	8
5.	ERROR ANALYSIS	8
6.	OPERATING THE SIDELINE VERTICAL BLIND	8
6.1.	BASIC OPERATING NOTICES	8
6.2.	SAFETY	8
6.3.	INTENDED USE	9
6.4.	OPERATION	9
6.5.	CLEANING AND CARE	9
6.6.	MAINTENANCE	9
8.	WARRANTY CERTIFICATE	10

## 1. SAFETY

### 1.1 SAFETY NOTICES, WARNINGS, AND INFORMATION FOR ASSEMBLY

Safety notices and important information can be found at the corresponding point in the text. These are equipped with a symbol.



This symbol indicates notices that are important for people's safety or for the vertical blind's function.



This symbol indicates important product information for the assembly fitter.

### 1.2 GENERAL SAFETY NOTICES



The **WOUNDWO** SIDELINE vertical blind is designed and manufactured in line with the provisions set forth in DIN EN 13561. Nonetheless, dangers can arise for the people involved during assembly or operation if the corresponding instructions are not observed.



The blind may only be installed by qualified specialist companies or by trained staff.



The notices in the instructions for assembly and use must be observed. Non-compliance shall release the manufacturer from its liability.



The country-specific legal provisions on health and safety and accident prevention must be observed. Suitable personal protection is required, especially when working at great heights. The notices on the product, on the packaging and in these instructions for assembly must be observed.

## 2. ASSEMBLY

### 2.1 TOOLS AND RESOURCES

- (Hammer) drill
- Suitable drill bits for the subsurface and the fixing material
- Socket wrench (ratchet) with extension and nut WAF 13 and WAF 17 (WAF 19 in the case of M12)
- Allen key WAF 4, WAF 5 and WAF 6
- Open-ended spanner WAF 12 (for changing the direction of the fabric outlet)
- Spirit level for alignment

### 2.2 PREPARATION FOR ASSEMBLY



Check the outlet direction of the vertical blind. If it is on the wrong side, the brackets, handle and roller can be disassembled appropriately, as described in 2.4.

Secure the assembly area, which is at least the size of the extended vertical blind.

Before starting assembly, check whether the assembly subsurface for the locking device of the traction profile corresponds to the subsurface specified in the order.

If there are considerable deviations that affect secure fastening of the locking device or housing, consult the system manufacturer or a fastening technology specialist.



Non-compliance can lead to malfunctions and put people's health at risk!

2.3 WIND RESISTANCE CLASSES

**DEFINITION:**

Blinds are classified into wind resistance classes pursuant to DIN EN 13561, Point 4.1.

Wind class 0	Undefined; product unchecked or unsuitable		
Wind class 1	Moderate wind	4 on the Beaufort scale	20 – 28 km/h
Wind class 2	Fresh wind	5 on the Beaufort scale	29 – 38 km/h
Wind class 3	Strong wind	6 on the Beaufort scale	39 – 48 km/h

Classification of the **WOUNDWO** vertical blind:

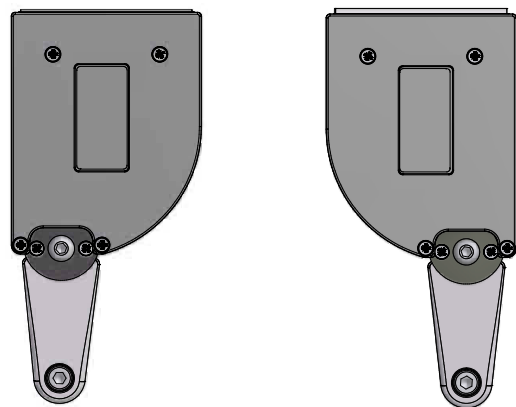
The **WOUNDWO** vertical blind is classified as being in wind class 1.

The exception is when the locking device is assembled with the peg. This type of assembly is classified as being in wind class 0.

2.4. REPLACING THE FABRIC OUTLET

As is specified in the order, the vertical blind is supplied with the fabric outlet side on the left or right

To change the direction of the fabric outlet, the brackets, handle and the roller must be converted.



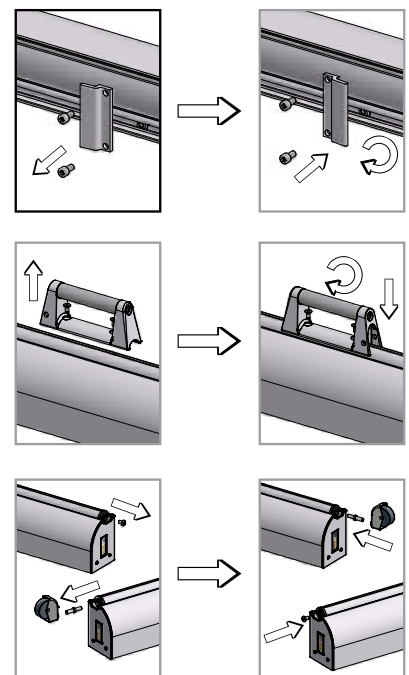
Fabric outlet on the left

Fabric outlet on the right



Only convert the system when closed!

- Loosen the screws on the housing brackets.
- Rotate the housing brackets by 180°.
- Use the cylinder head screws and square nuts to screw down the housing bracket in the same position on the housing.
  
- Loosen the handle by using the Allen key WAF 4 to unscrew the countersunk head screws WAF 4 from the traction profile and assemble in reverse order. The handle mount point should be situated roughly halfway up the system (adjust the handle height according to 3.2.).
  
- Pull the roller off the roller axis.
- Unscrew the pin from the end cap using the open-ended spanner WAF 12.
- Unscrew the fillister head screw from the end cap using the Allen key WAF 5.
- Assemble the roller axis and fillister head screw in the opposite traction profile end cap.
- Insert the roller into the roller axis.



**2.5. ATTACHMENT HEIGHT**

The housing of the vertical blind must be assembled 50 mm above the ground in a vertical position, to ensure that the fabric wraps well and that the traction profile closes neatly when using the ROLLER.

Please refer to the rear of the housing for the bracket assembly heights. To this end, insert the wall brackets into the housing brackets. Observe the 50 mm distance on the underside and use the distances X and Y to transfer the hole positions onto the wall.

If the roller is not used, the housing can be also be assembled closer to the ground.

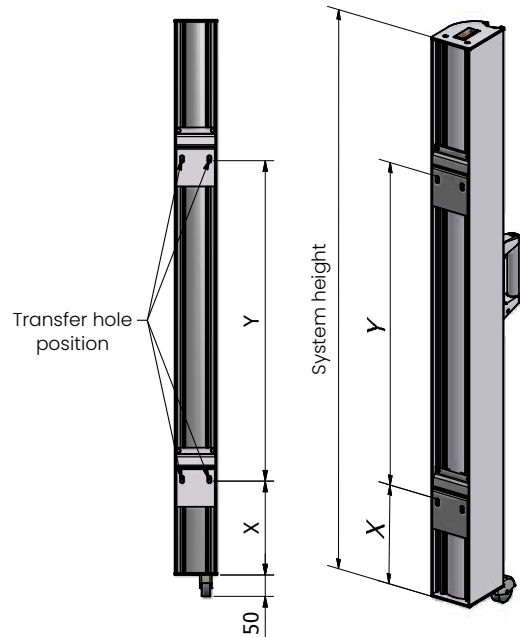
**HOLES FOR BRACKETS:**

Transfer the hole patterns for the brackets onto the determined bracket positions.

Depending on the assembly subsurface and the fastening type, use the appropriate drill and a suitable assembly material.



Only vertical assembly, as shown in adjacent image, is permissible for the vertical blind's intended use!

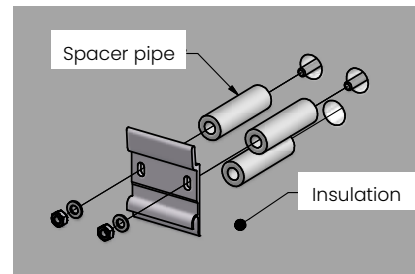


**2.6. FASTENING TECHNOLOGY**

**ASSEMBLY ON THERMALLY INSULATED FAÇADES:**

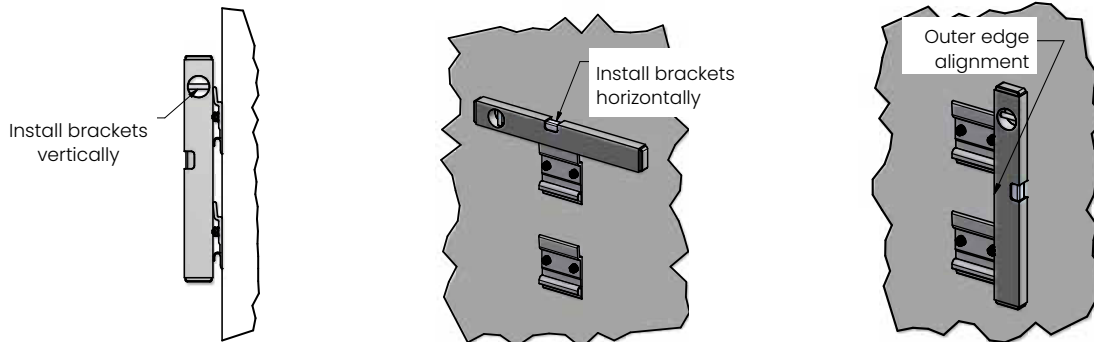
Insulating plaster and heavy-duty thermal insulation are not pressure-stable.

Blind brackets must therefore either be underlaid fully or in the screw area and centrally on the underside using spacers.



**FASTENING THE BRACKETS:**

Both brackets must be aligned in all directions using the spirit level. Compensate for unevenness on the subsurface using suitable underlays.



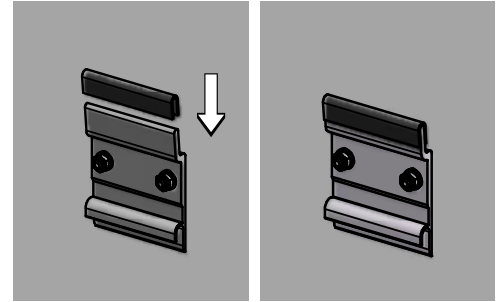
Then, adjust the brackets in the slots to the measured distance Y, tighten all the screws and check that the brackets are secure.

2.7. FIXING THE BLIND

**i** In the case of larger, heavier systems (defined on the packaging) 2 people may be required to mount the housing!

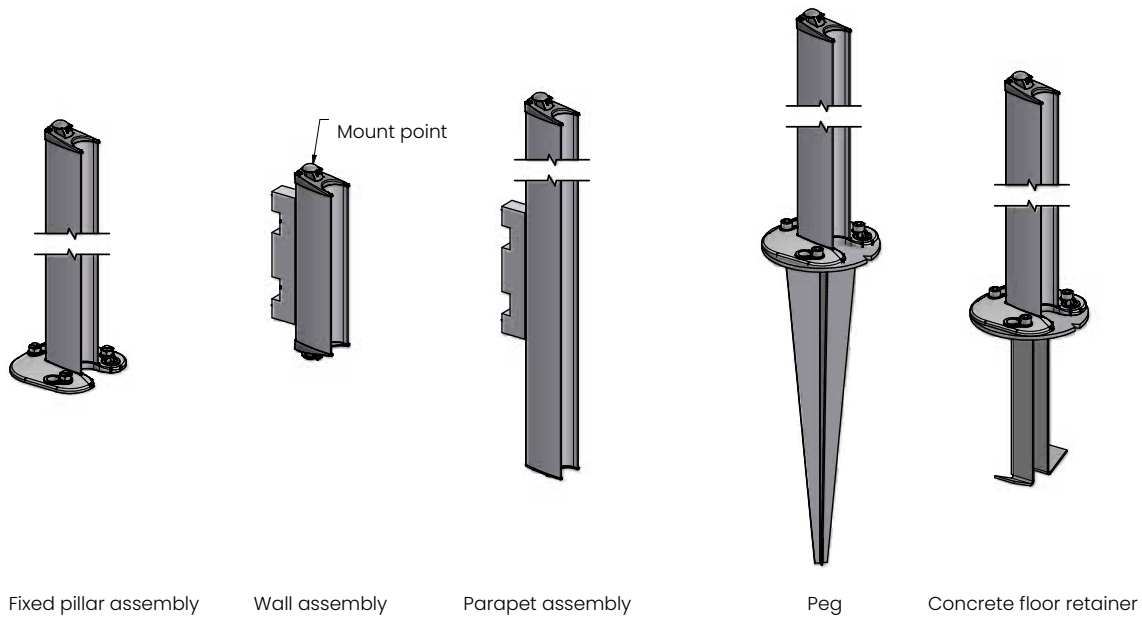
- Attach the dampening rubber to the wall brackets.
- Lift the vertical blind with the housing brackets above the wall brackets.
- Hang the housing on the wall brackets.
- Firmly press the housing downwards.

The blind is thus sufficiently secured



2.8. ASSEMBLING THE LOCKING DEVICE

Depending on the assembly situation, different locking device variants are used for the traction profile. However, for all assembly types, the traction profile should be pulled straight out of the housing! Assemble the locking device for the traction profile using the suitable assembly material for the subsurface.



Fixed pillar assembly

Wall assembly

Parapet assembly

Peg

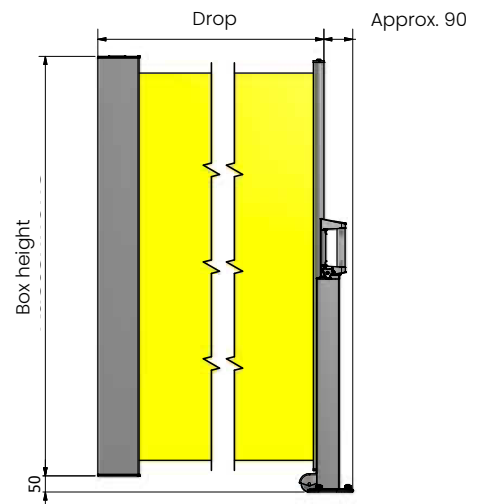
Concrete floor retainer

**i** In the case of wall assembly, the point for the locking device should be situated roughly halfway up the system. In the case of the other assembly types, the locking device profile should be adapted to this height.



The locking device must be permanently anchored!

The distance between the locking device and the housing depends on the system drop and how we measure, as shown in the adjacent image.



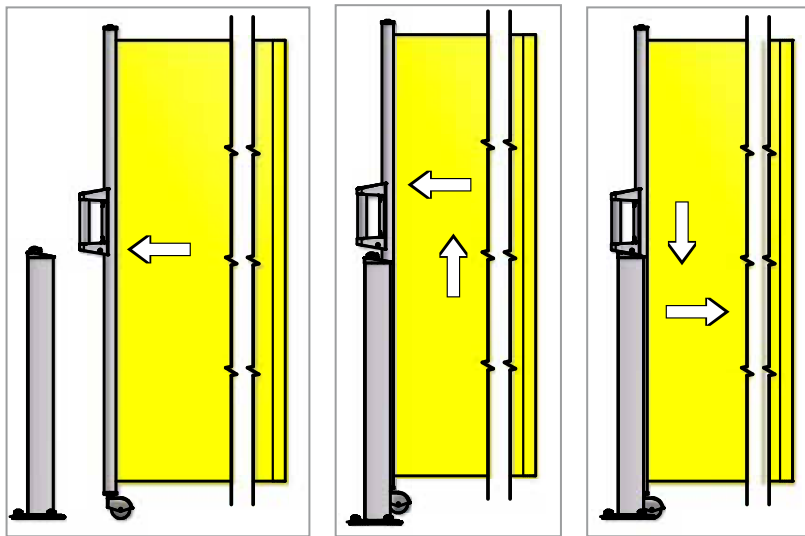
### 3. COMMISSIONING

#### 3.1 EXTENDING THE SYSTEM



Before the blind is commissioned, all objects (e.g. ladders, tools, etc.) that are located in the blind's operating area are to be removed. People may not remain in this area during trial runs; there is a risk of malfunctions.

- Pull out the traction profile as far as the locking device and insert the handle as described below.
- Pull the handle over the end cap; when doing so, ensure that the traction profile engages with the pillar profile.
- Push the handle downwards until it is resting on the end cap.
- Push backwards until the handle snaps into place.



#### WARNING!

If the traction profile is released and the handle has not been inserted, the system can be damaged or people injured by the traction profile springing back!

#### 3.2. ADJUSTING THE HANDLE HEIGHT



The handle height must be adapted to the height of the mount point. To do this, loosen the two countersunk head screws slightly. Adjust the height of the traction profile such that the fabric is straight and tensions evenly. Tighten the countersunk head screws.

#### 3.3. RETRACTING THE SYSTEM

To retract the system, follow the instructions to extend the blind (in 3.1) in reverse.



When doing so, do not let go of the traction profile until it is resting on the housing. The system can be damaged or people injured by the traction profile springing back!

**3.4. COMPLETING ASSEMBLY / HANDING OVER TO THE CUSTOMER**

- Tidy the construction site. Take away the packaging and dispose of it according to local regulations.
- Hand over all the instructions for assembling and operating the blind to the customer.



Comprehensively instruct the customer in how to use the blind. Non-compliance and incorrect operation can cause damages to the blind and accidents. Inform the customer of the blind's wind resistance class.



Under - 9. Handover to the customer - must be completed and signed by the assembly fitter or specialist dealer!

**4. DISASSEMBLY**



Ensure that no unauthorised persons remain in the area of the blind. Only disassemble the blind when retracted.

- The blind must be retracted.
- Pull the housing upwards, away from the wall brackets.

**5. ERROR ANALYSIS**

THE TRACTION PROFILE IS NOT CLOSING COMPLETELY	THE FABRIC IS NOT WINDING STRAIGHT ON THE SHAFT	REMOVE THE TRACTION PROFILE AND WIND THE FABRIC SUCH THAT IT IS STRAIGHTW
The traction profile is not closing completely	The fabric is not winding straight on the shaft	Remove the traction profile and wind the fabric such that it is straight
		It may not be possible to use the roller as a guide and the traction profile must be lifted slightly
		Retract the traction profile into the housing a little more
The fabric is positioned at an incline and is not tensioning correctly on one side	The handle assembly height is not correct	Adjust the handle assembly height as described in 3.2
	The housing assembly height is not correct	Install the housing brackets at the corresponding height

**6. OPERATING THE SIDELINE VERTICAL BLIND**

**6.1. BASIC OPERATING NOTICES**

You must have read and understood these instructions for use before commissioning the products to ensure failure-free permanent operation.

It is important to follow these instructions for people's safety.

The notices in the instructions for use must be observed. Non-compliance shall release the manufacturer from its liability.

Please also observe the notices on the product and on the packaging.

We recommend keeping the instructions for assembly and use and handing them over to the new owner should you sell the vertical blind.

**6.2. SAFETY**



The product may only be operated as intended, in a technically perfect condition, in a safety- and risk-conscious manner and in accordance with these instructions for use. Faults that could compromise safety are to be rectified immediately.



As the system is one that is under spring tension, the locking device must be firmly anchored at all times, as described in 2.8, to prevent the traction profile from springing back!



### 6.3. INTENDED USE

The **WOUNDWO** vertical blind is primarily designed to protect against solar radiation, to guarantee privacy and to also serve as wind protection up to the specified wind speeds in the defined wind class (in 2.3). Any other use or use that extends beyond this shall be deemed improper. The manufacturer assumes no liability for any resultant damages.

No changes, additions or conversions may be made to the vertical blinds without the manufacturer's consent. Vertical blind parts in an imperfect condition must be replaced immediately.

Only genuine spare parts specified by the manufacturer may be used. In the case of parts sourced from third parties, there is no guarantee that these have been designed in line with safety and loading requirements.

If the vertical blinds suffer additional loading as a result of suspended objects or the cord slackening, this can lead to the vertical blinds malfunctioning. Such actions are therefore impermissible.

Assembly and maintenance work may only be performed by qualified staff.

WO&WO Sonnenlichtdesign GmbH & Co KG assumes no liability for damages caused by improper use.

### 6.4. OPERATION



Vertical blinds may only be operated by persons who have received instruction from specialist staff. Ensure that children do not operate the blind unattended.



Do not reach into the housing whilst retracting or extending (risk of jamming). The blind cloth must not be subjected to stresses caused by foreign objects.

No toys, objects or weights may be attached to the vertical blind. Also, it is impermissible to install objects, e.g. a ladder.



Vertical blinds should be retracted at night and before leaving home.



If the wind is stronger than in the specified wind class (in 2.3), vertical blinds must be retracted.

Should the cloth become damp or even wet, the vertical blind must be extended to dry out the cloth as soon as is possible (risk of stains and mould forming, plus damage to the blind fabric and the seams).



The vertical blind should only be extended and retracted as described under 3.1. and 3.3.



During this process, the safety pins must always be inserted into the locking device of the traction profile.

When the vertical blind is closed, the safety pin can be inserted into the handle for storage, or assembled with the supplied cord on the locking device pillar profile.

### 6.5. CLEANING AND CARE



Do not use any high-pressure cleaners, scouring agents or scouring pads for cleaning! Solvents such as alcohol or benzine must not be used!

#### CLEANING THE PRODUCT:

Dirt can be removed from the vertical blind using a soft brush or hand brush.

Clean the blind cloth using a fine liquid detergent and rinse thoroughly with cold water.

The frame of the vertical blind can be cleaned using a commercially available cleaner and wiped with a damp cloth.

The blind cloth must be left to dry after cleaning.

### 6.6. MAINTENANCE



Reliable and safe use of the vertical blind can only be guaranteed if the system is checked and maintained on a regular basis.

The vertical blind is to be checked regularly for signs of wear and damage on the cover, frame and locking device. If damages are found, the specialist dealer or a suitable servicing company is to be tasked with the repair work. Vertical blinds needing repair must not be operated.

## 8. WARRANTY CERTIFICATE

## 5-YEAR GUARANTEE



## 1. WARRANTY PERIOD

- 1.1. Within the warranty period of 5 years from delivery, we will remedy all defects to the awning which can be proven to result from manufacturing, material or design defects.
- 1.2. The 5-year warranty automatically comes into effect upon delivery of the awning.

## 2. CONDITIONS FOR THE PROVISION OF WARRANTY SERVICES ARE:

- 2.1. Immediate inspection of the awning upon delivery to ensure it is free from defects. If defects are found, the awning must not be installed.
- 2.2. The awning is correctly installed by the authorised **WOUNDWO** specialist dealer in accordance with the assembly instructions, using only original mounting parts.
- 2.3. You must notify us promptly in writing in the event of any claim. Please provide the following information: date of damage, nature and extent of the damage, invoice date and number, name and address of the customer.

## 3. SETTLEMENT OF CLAIMS

- 3.1. Where defects are accepted by us as being covered by warranty, the remedying of such defects will involve the specialist dealer dismantling the awning and sending it to our factory.
- 3.2. We will assume all material costs necessary to correct the defects that fall under the terms of the warranty within the period specified in Item 1.

## 4. THE FOLLOWING ARE EXCLUDED FROM THE WARRANTY:

- 4.1. Damage to the awning caused by improper installation as a result of failure to follow the installation instructions and failure to use original mounting parts.
- 4.2. Damage caused by force majeure and exceptional loads, such as the effects of extremely high winds, snow, rain or ice.
- 4.3. 'Minor cosmetic flaws' in awning fabrics, which are set out in the 'Guidelines for the evaluation of ready-made awning fabrics' produced by the IVRSA (ITRS e.V. professional group), do not constitute a defect and are therefore not covered by the warranty.
- 4.4. Parts that are subject to normal wear. These include motors, gearboxes, controllers and covers.
- 4.5. Visual flaws.

## 5. OTHER PROVISIONS

- 5.1. If a damage incident necessitates inspection by our customer service department, no changes must be made to the awning under investigation.
- 5.2. In the event of a damage incident, the subsequent procedure will be conducted in writing. For insurance reasons, it is not possible to resolve the matter over the telephone.
- 5.3. All claims under the warranty shall be null and void if third party spare parts are used or following any repairs made by persons who are not authorised **WOUNDWO** specialist dealers, or if any changes are made to the awning.



