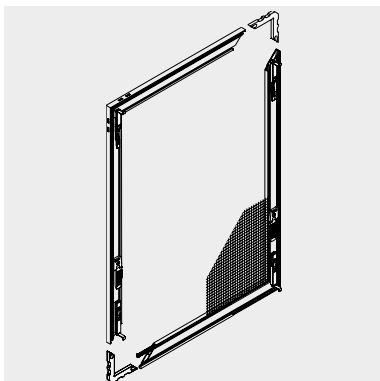


INSECT SCREEN

STENTERING FRAMES
HINGED FRAMES | SWING DOORS
SLIDING SYSTEMS
ROLLER BLINDS | PLEATED BLINDS
LIGHTWELL COVERS

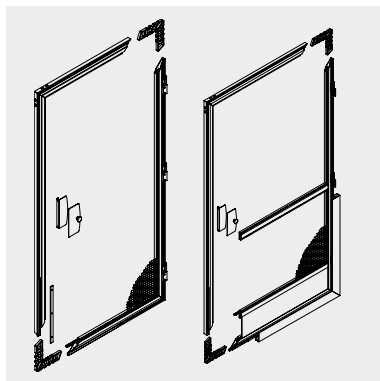


INSECT SCREEN – FOR THE ENVIRONMENT, NO CHEMICALS



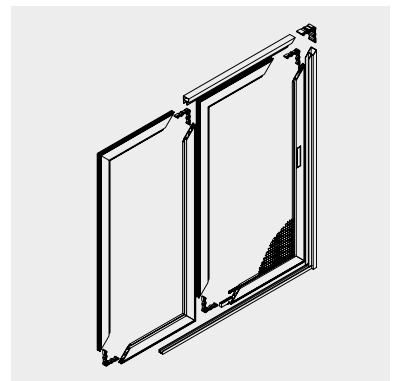
STENTERING FRAMES

Stentering frames are insect screen elements that are fitted to a window.



HINGED FRAMES / SWING DOORS

Hinged frames and swing doors are moving insect screen elements that are fitted to a window or door.



SLIDING SYSTEMS

Sliding systems are moving insect screen elements that are fitted to a balcony or patio door.



ADVANTAGES

INSECT-FREE LIVING

Say goodbye to those plagues of insects in your home! Insect screens for windows or doors, hinged or stentering frames, insect screen roller blinds, insect screen pleated blinds or large-scale sliding systems – **WOUNDWO** has the ideal solution to allow you to enjoy your days, and especially your nights, in peace.

NO CHEMICALS

Installed in just a few steps, our insect screens guarantee the flow of fresh air in all rooms, with no need to use chemicals to fight insects. Insect screens – just the way you want them, every time. Choose from a host of special solutions such as dog or cat flaps, use as a lightwell cover, or one of numerous special shapes, in combination with your sun protection system, in a range of mesh variants.

PREMIUM QUALITY

Recharge your batteries overnight with a peaceful, mosquito-free sleep, with fresh air flowing through every room – the little everyday things are vital for your day-to-day wellbeing. Our products enhance your quality of life, and make every day better.

OPERATING OPTIONS

- Easy fitting and removal of the stentering frame, which is mounted using an angle bracket, spring support, hinged support or spring pin.
- Easy opening and closing of the hinged or swing door, with handle and crossbar.
- Self-activated closing of the hinged frame with automatic door-closer mechanism.
- Sliding sash opens and closes smoothly thanks to ball bearing-mounted rollers. Added option of convenient operation by foot only or with recess for foot-control operation.
- Easy-action opening and closing of the insect screen roller blind and controlled or self-activated raising of the blind thanks to integrated centrifugal brake.



Operating Handle



Control button



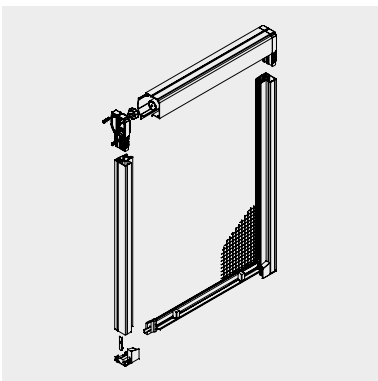
Recess



Handle

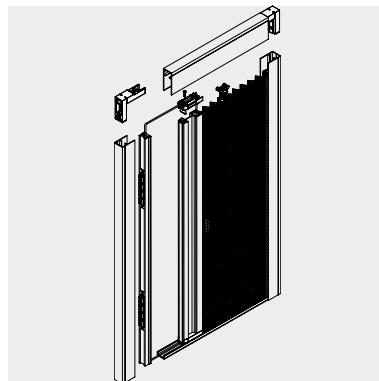


Handle



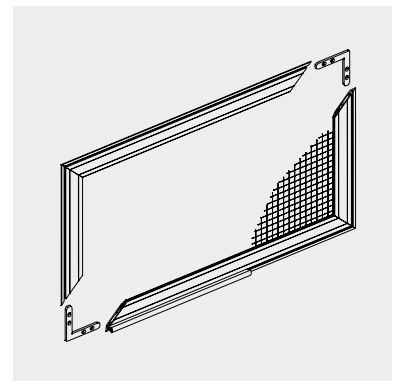
ROLLER BLIND

Roller blinds are insect screen elements with a roll-up mesh screen that are fixed in place on a window or door.



PLEATED BLIND

Pleated blinds are elements featuring a pleated insect screen with horizontal opening and closing movement, that are fixed in place on a balcony or patio door.



LIGHTWELL COVER

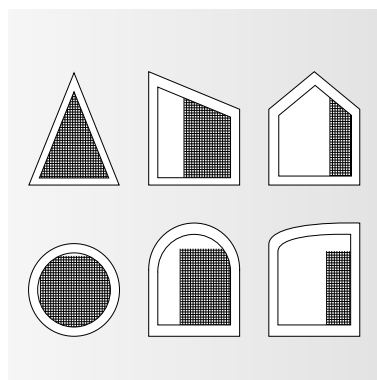
Lightwell covers are elements that are fixed in place over a lightwell grille. They prevent leaves, insects and rodents from entering the lightwell.

HIGHLIGHTS AND ACCESSORIES



SPECIAL SHAPES

There is simply no limit to the variety of window and door geometries that can be accommodated. For the insect screen stentering frames and some hinged frames, and for lightwell covers, if required the insect screen elements can be manufactured in special, oddly angled or curved shapes, to customise them perfectly to the desired window geometry.





COMBINED WITH SUN PROTECTION

For most sun protection solutions, your shading system can be combined with an insect screen.

Whether it's roller shutters or external Venetian blinds, when combined with an insect screen your physical comfort will be taken to another level. In addition, insect screen solutions that have been developed and engineered for specific sun protection products have the advantage that they are perfectly matched to the product in question, thus creating a seamless whole with your chosen sun shading system.



CAT AND DOG FLAP

Insect screen hinged and sliding frames can additionally be fitted with a cat or dog flap, so your four-legged friend can come and go at will, with no need for you to get up and open doors. Additionally, of course, the flap can be set up so your cat or dog can only go through in one direction, e.g. it can come in but can't go out again.



RETROFITTING

Factor in an insect screen when selecting your sun protection system! Insect screen elements can be retrofitted in most cases, but doing so is usually more complex and therefore more expensive.

LIGHTWELL COVER

Lightwells are essential to allow daylight into basement areas, enabling you to use these spaces as bright, cheerful utility rooms and hobby areas. But to keep lightwells free of leaves, branches and small animals, they need to be fitted with lightwell covers.


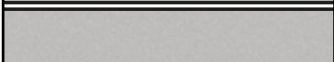
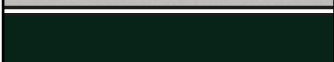









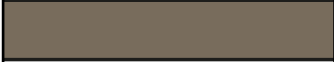







WOUNDWO lightwell covers are made from a fine-meshed stainless steel fabric with full all-round sealing, and can be fitted and removed in just a few simple steps.



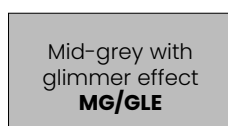
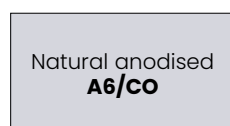
COLOURS AND FABRICS

STANDARD COLOURS

20 standard colours and over 200 RAL colour options.

	natural anodized E6/EV1
	white aluminium ca. RAL 9006 matt
	moss green RAL 6005 matt HWF
	anthracite grey RAL 7016 matt HWF
	ochre brown RAL 8001 matt HWF
	sepia brown RAL 8014 matt
	chocolate brown RAL 8017 matt HWF
	grey brown RAL 8019 matt HWF
	white RAL 9016 matt
	clay brown RAL 8003 matt HWF
	fawn brown RAL 8007 matt HWF
	beige grey RAL 7006 matt HWF
	grey aluminium ca. RAL 9007 matt
	basalt grey RAL 7012 matt HWF
	black grey RAL 7021 matt HWF
	umbra grey RAL 7022 matt HWF
	deep black RAL 9005 matt HWF
	DB 703
	DM 02 HWF
	DM 03 HWF

STANDARD FOR LIGHTWELL COVER



YOUR PREFERRED COLOUR

The **WOUNDWO** insect screen elements are available in 20 on-trend standard colours. If the colour you want isn't there, of course, there's also a range of more than 200 additional RAL colours for you to choose from.



'BLUE ANGEL' ENVIRONMENTAL LABEL

Most **WOUNDWO** insect screen fabrics have been awarded the 'Blue Angel' eco-label. The Blue Angel (also referred to colloquially as Blue Environmental Angel) is a seal of approval / quality seal awarded for eco-friendly products and services since 1978.

Further information can be found on the internet (www.blauer-engel.de).



www.blauer-engel.de/uz34
• ohne giftige Wirkstoffe



MESH OPTIONS

FIBREGLASS MESH

Due to its small mesh size, the fibreglass standard fabric used by **WOUNDWO** is highly effective as an insect screen, while still allowing maximum air circulation. The mesh fabric is made of plastic-coated fibreglass, with additional features including exceptional tear resistance and a high level of weather resistance. In addition, the neutral colouring of the fabric allows a virtually unobstructed view from inside to out. The insect screen fabric has been awarded the 'Blue Angel' environmental quality mark.

TRANSPATEC

The patented Transpatec insect screen fabric is without a doubt one of the most innovative insect screens available on the market today.

This insect screen mesh offers crucial advantages over conventional fabrics: greater transparency and light transmission, much better air circulation, and exceptional resistance to tears and punctures.

Thanks to the use of a special high-tech fibre, the Transpatec mesh is virtually invisible. The Transpatec insect screen mesh has also been awarded the 'Blue Angel' environmental quality mark.

Thanks to a much smaller mesh size, the **TRANSPATEC FINE-MESH FABRIC** provides protection against very small insects. With proven protective effect (ECARF test 2016) of 66% for grass pollen, 52% for birch pollen and 51% for ragweed pollen. It can be used all year round, is easy to clean, has a good level of tear resistance thanks to its special thread composition, and is PVC-free.

Due to a special coating on the surface of the Transpatec mesh, small dust and dirt particles don't stick to the fabric. A light wind or rain is all it takes to make these particles fall off the mesh. Thanks to this self-cleaning effect, the Transpatec fabric barely gets soiled.

POLLEN PROTECTION MESH

Anyone with a pollen allergy will appreciate the pollen protection mesh from **WOUNDWO**.

This insect screen fabric features a proven protective effect against birch and grass pollen, and stinging nettle and ragweed pollen. In addition, this fabric can be used all year round as an insect screen mesh and is easy to clean. Awarded the ECARF Quality Seal – quality-tested hypoallergenic.

POLYESTER MESH, CAT MESH

The polyester fabric is characterised by its extreme tear resistance – approx. 7 times stronger than the standard fibreglass mesh. It is thus ideal for use as 'scratch protection' e.g. for cats, and is therefore used as standard where a cat flap or dog flap is provided. The fabric has been awarded the 'Blue Angel' eco label.

STAINLESS STEEL MESH

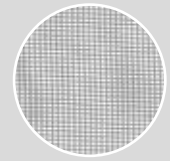
The stainless steel mesh is often used in basement areas as a 'mouse barrier' or to protect against small rodents. In addition, it is very surface-resistant and is easy to clean. It is therefore preferred for use in areas where hygiene is a top priority, such as food retailing or hospitals.

HF ELECTROSMOG SHIELDING MESH

As well as protecting against insects, the HF Electrosmog shielding mesh also shields against high-frequency electromagnetic radiation, such as that caused, for example, by mobile communications transmitters. The protective action is of course effective even when the windows or doors are open.

PLEATED BLINDS

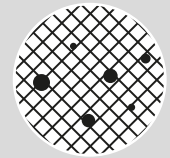
The pleated fabric used for pleated systems is highly water-repellent, and when installed it doesn't crease even in rain or wet conditions. The fabric offers exceptional tear resistance and a high level of weather resistance. In addition, the pleated fabric is comparatively easy to see through.



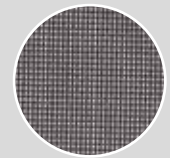
FIBREGLASS MESH



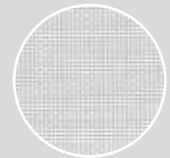
TRANSPATEC MESH



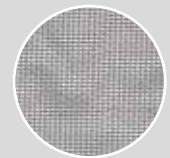
POLLEN PROTECTION MESH



POLYESTER MESH

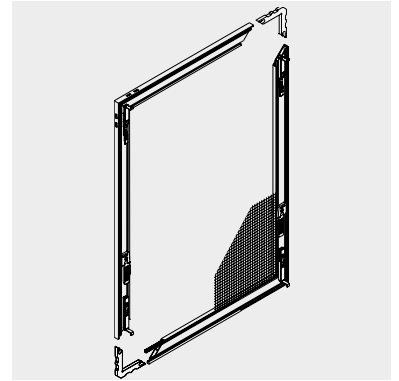


STAINLESS STEEL MESH



HF ELECTROSMOG MESH

STENTERING FRAMES



STENTERING FRAMES
Max. width 2000 mm
Max. height 2500 mm

Insect screen stentering frames are a simple yet efficient solution for protection against those pesky little bugs. Stentering frames are not designed for daily mounting and removal; instead, they are usually put up in the spring and then removed in late autumn – or they can be left on your windows all year round.

With many different types of stentering frame, **WOUNDWO** can provide the perfect insect screen stentering frame for virtually any installation situation.

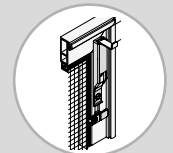
THE BENEFITS TO YOU

- straightforward and efficient solution
- a host of variants for a wide range of window types
- suitable for retrofitting

OPERATION



Operating
Handle

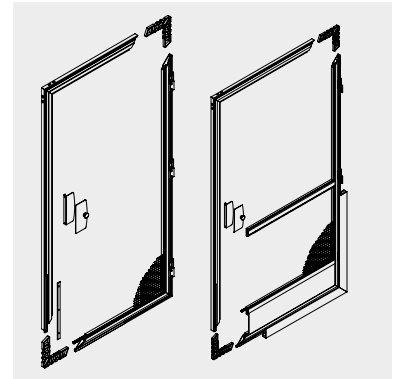


HINGED SUPPORT

In some models, the hinged support for the stentering frame can be provided using a spring-mounted angle bracket, which for most window types ensures the most effective attachment of the stentering frame to the window.



HINGED FRAME/ SWING DOORS



HINGED FRAMES FOR WINDOWS AND DOORS

Max. width 2600 mm
Max. height 2800 mm

Hinged frame insect screens are the 'all-rounders' if you're looking for an insect screen solution for your balcony or patio door. The special construction of the hinged frames used by **WOUNDWO** provides very robust and sturdy frames which can be used for systems up to 2.6 metres in width.

The wide opening angle makes revolving swing door insect screens an attractive choice; a self-closing option is also offered. A swing door is the ideal choice if you have lots of 'through traffic', e.g. on the patio, as these doors can open both inwards and outwards.

THE BENEFITS TO YOU: HINGED FRAMES

- for windows and for doors
- ideal for high-traffic areas
- automatic door-closer
- Soundless closing thanks to cushioned revolving doors

THE BENEFITS TO YOU: SWING DOORS

- closes automatically and tightly
- swings back to the starting position
- good closing force, including in windy conditions

OPERATION



Control button



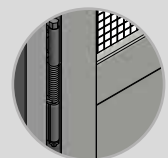
Handle



Recess



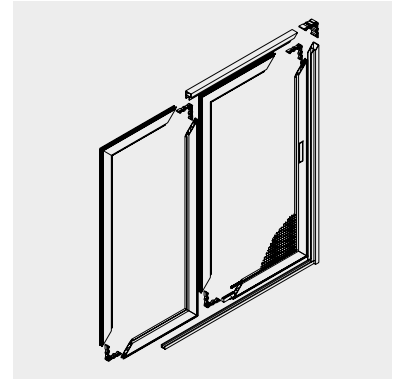
Handle



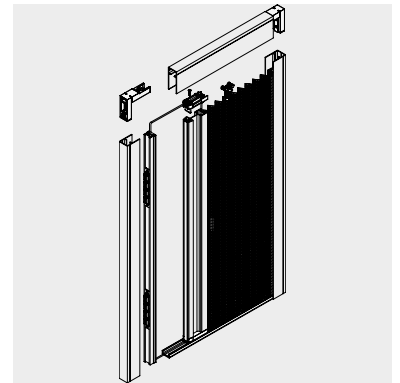
AUTOMATIC DOOR CLOSER

Optionally, the hinged frame can also be fitted with a torsion bar system as a door-closer. This stops the revolving door insect screens from being left open unintentionally, and closes the doors automatically using the tensile force of the door closer.

SLIDING SYSTEMS/ PLISSEES



SLIDING SYSTEMS
Max. width 7000 mm
Max. height 3500 mm



PLISSEES
Max. width 5000 mm
Max. height 3000 mm

Sliding insect screen systems are popular for use with patio doors, especially where large door openings up to 7 metres wide are to be covered. The sash slides smoothly to the side, and an optional recess in the sliding frame for foot-control operation even allows you to operate the system using your foot, for those times when you've got your hands full. The ball bearing-mounted rollers ensure the sliding parts glide effortlessly at a single touch.

Pleated blinds are little gems when you need to save space! Pleated blinds are elements featuring a pleated insect screen with horizontal opening and closing movement, that are fixed in place in a doorway.

THE BENEFITS TO YOU: SLIDING FRAMES

- especially for patio doors
- smooth sliding element
- kick guard plate
- foot-operated

OPERATION



Recess



Handle

THE BENEFITS TO YOU: PLEATED BLINDS

- Operation from left to right or vice-versa
- when space is at a premium



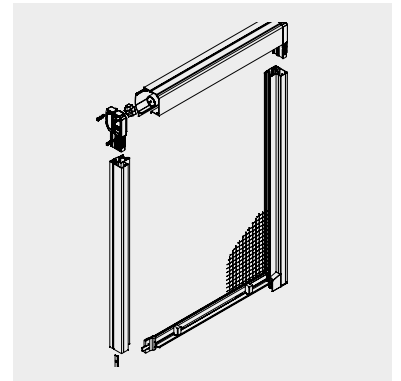
RECESS FOR FOOT-CONTROL OPERATION

In conjunction with a base plate, a recess for foot-control operation working from both sides can be built into any sliding sash.

The sash can then be conveniently opened and closed with the top of a foot.



ROLLER BLINDS



ROLLER BLIND
Max. width 2000 mm
Max. height 3000 mm

Insect screen roller blinds are the convenient solution if you want to have complete freedom and flexibility regarding the use of your insect screen, and operate the roller blind only as and when needed. Insect screen roller blinds from **WOUNDWO** are so easy to use and can also be combined with a shutter or external Venetian blind slat curtain. In addition, a special brush system ensures a high level of stability and ease of operation, including in windy conditions.

THE BENEFITS TO YOU

- for windows and for doors
- for skylight windows
- one-handed operation
- integrated centrifugal brake, for smooth, controlled upward gliding of the fabric

OPERATION



Handle



ROLLER BLIND FOR SKYLIGHT WINDOWS
WOUNDWO also offers the right solutions and appropriate models for use with a skylight window.

WE ARE SUNLIGHT DESIGN

WO&WO Sonnenlichtdesign GmbH & Co KG
Hafnerstraße 193, 8054 Graz, AUSTRIA
www.woundwo.com

YOUR **WOUNDWO** DEALER